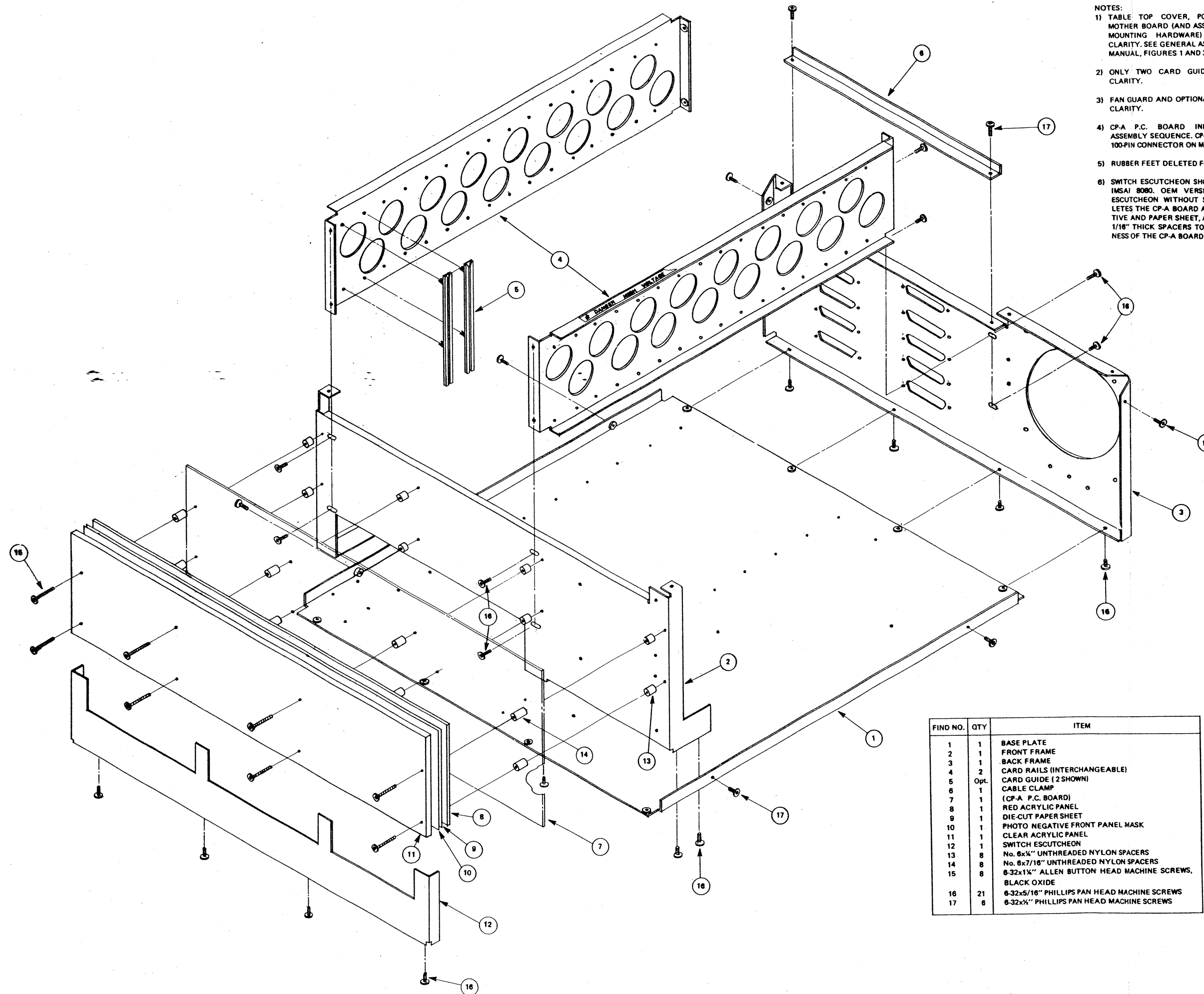


REVISIONS			
LTR	DESCRIPTION	DATE	APPROVED
U1	74LS00	U39	75189
U4		U40	75188
U8		U41	75452
U2	74LS32	C1, C2, C7, C8, C11, C12, C14, C15, C16, C18, C19, C20, C21, C22, C23, C24, C27, C28, C29, C30, C31, C32, C33, C34	.1 uF
U3	74LS02	C3, C6, C9, C10	2.2 uF
U5	74LS08	CR1	IN4148
U29		CR2, CR5	IN270
U6	74LS11	CR3, CR4	IN4002
U7	8111A-4	Y1	6MHZ
U8		U9	FIRMWARE PROM SOCKET
U10	8T97	R9 - R16	1K 1/4w
U32-U36		R18 - R20, R25, R26, R33 - R35, R50	
U11	74LS04	R17, R23, R24, R28 - R32, R38	10K 1/4w
U17		R1 - R8, R21, R22, R36, R37, R39, R44 - R48	4.7 1/4w
U28	74LS05	R40	750 1/4w
U30		R41	620 1/4w
U12	S1	R42	150 1/4w
U13	S2	R43	
U14	74LS05		
U15	74LS195		
U16			
U19	74LS155		
U20	8085		
U21-U23	8212		
U24	8253-2		
U25	8251A		
U26	74LS109		
U27	74LS74		
U31	3622		
U37	74LS367		
U38	74S288		

TOLERANCES UNLESS OTHERWISE SPECIFIED		MPU-B REV. 1.2 SCHEMATIC		
FRACTIONS DEC. ANGLES				
± ± ±				
APPROVALS	DATE			
DRAWN		SCALE	SIZE	DRAWING NO.
CHECKED			B	
DO NOT SCALE DRAWING			SHEET	



- NOTES:
- 1) TABLE TOP COVER, POWER SUPPLY, AND MOTHER BOARD (AND ASSOCIATED HOLES AND MOUNTING HARDWARE) NOT SHOWN FOR CLARITY. SEE GENERAL ASSEMBLY CHAPTER OF MANUAL, FIGURES 1 AND 2, FOR DETAILS.
 - 2) ONLY TWO CARD GUIDES (5) SHOWN FOR CLARITY.
 - 3) FAN GUARD AND OPTIONAL FAN DELETED FOR CLARITY.
 - 4) CP-A P.C. BOARD INDICATED TO SHOW ASSEMBLY SEQUENCE. CP-A BOARD PLUGS INTO 100-PIN CONNECTOR ON MOTHER BOARD.
 - 5) RUBBER FEET DELETED FOR CLARITY.
 - 6) SWITCH ESCUTCHEON SHOWN IS FOR REGULAR IMSAI 8080. OEM VERSION HAS ALTERNATE ESCUTCHEON WITHOUT SWITCH CUTOUTS. DELETES THE CP-A BOARD AND THE PHOTO NEGATIVE AND PAPER SHEET, AND USES ADDITIONAL 1/16" THICK SPACERS TO REPLACE THE THICKNESS OF THE CP-A BOARD.

© 1977 IMSAI MFG. CORP.
 SAN LEANDRO, CA.
 ALL RIGHTS RESERVED WORLDWIDE
 MADE IN U.S.A.

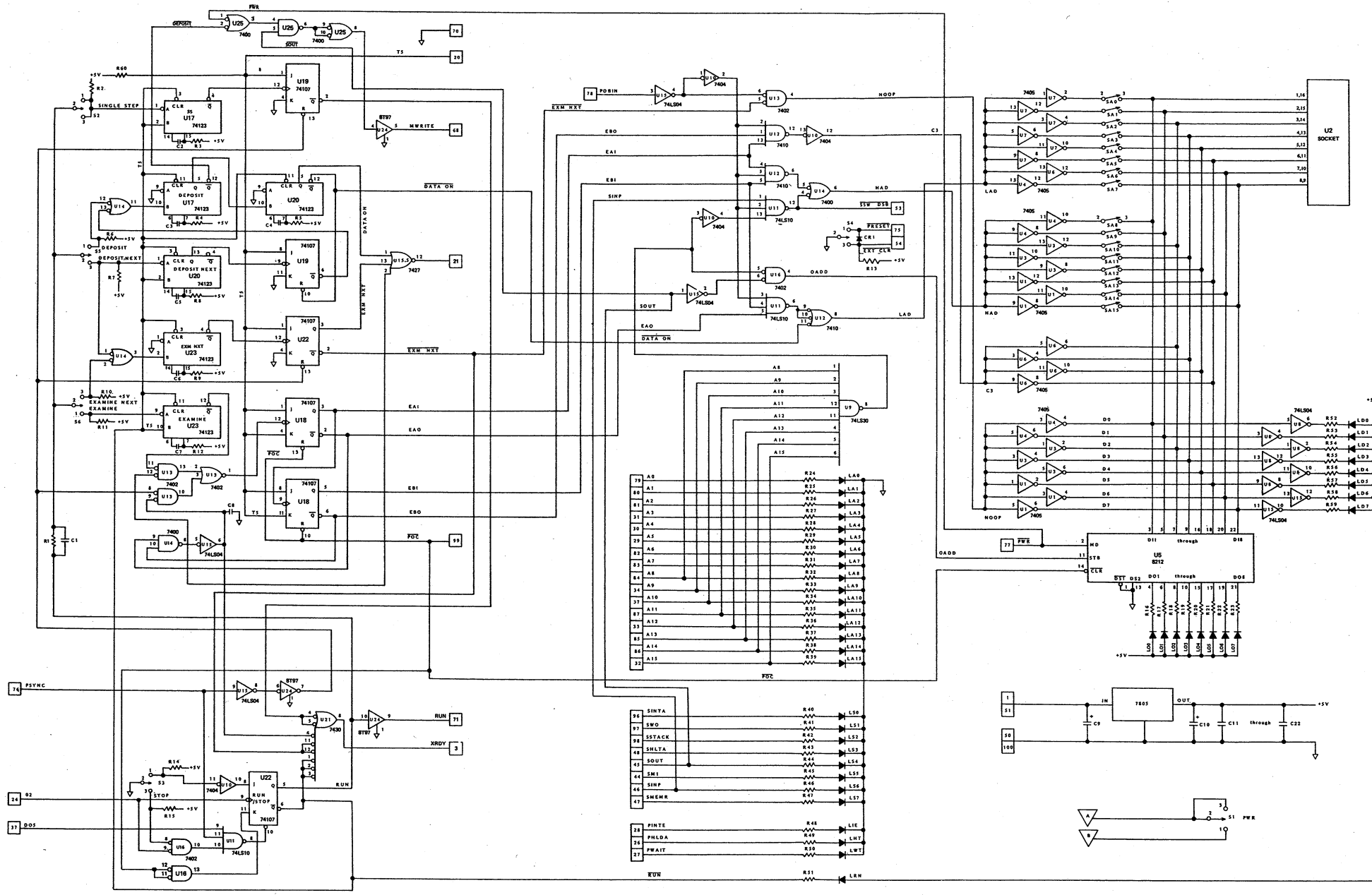
FIND NO.	QTY	ITEM
1	1	BASE PLATE
2	1	FRONT FRAME
3	1	BACK FRAME
4	2	CARD RAILS (INTERCHANGEABLE)
5	Opt.	CARD GUIDE (2 SHOWN)
6	1	CABLE CLAMP
7	1	(CP-A P.C. BOARD)
8	1	RED ACRYLIC PANEL
9	1	DIE-CUT PAPER SHEET
10	1	PHOTO NEGATIVE FRONT PANEL MASK
11	1	CLEAR ACRYLIC PANEL
12	1	SWITCH ESCUTCHEON
13	8	No. 8x1/4" UNTHREADED NYLON SPACERS
14	8	No. 8x7/16" UNTHREADED NYLON SPACERS
15	8	6-32x1/4" ALLEN BUTTON HEAD MACHINE SCREWS, BLACK OXIDE
16	21	6-32x5/16" PHILLIPS PAN HEAD MACHINE SCREWS
17	6	6-32x1/2" PHILLIPS PAN HEAD MACHINE SCREWS

8080 CHASSIS
 CABINET ASSEMBLY
 EXPLODED VIEW

7/76

©1976
 IMS ASSOCIATES, INC.
 SAN LEANDRO, CA.

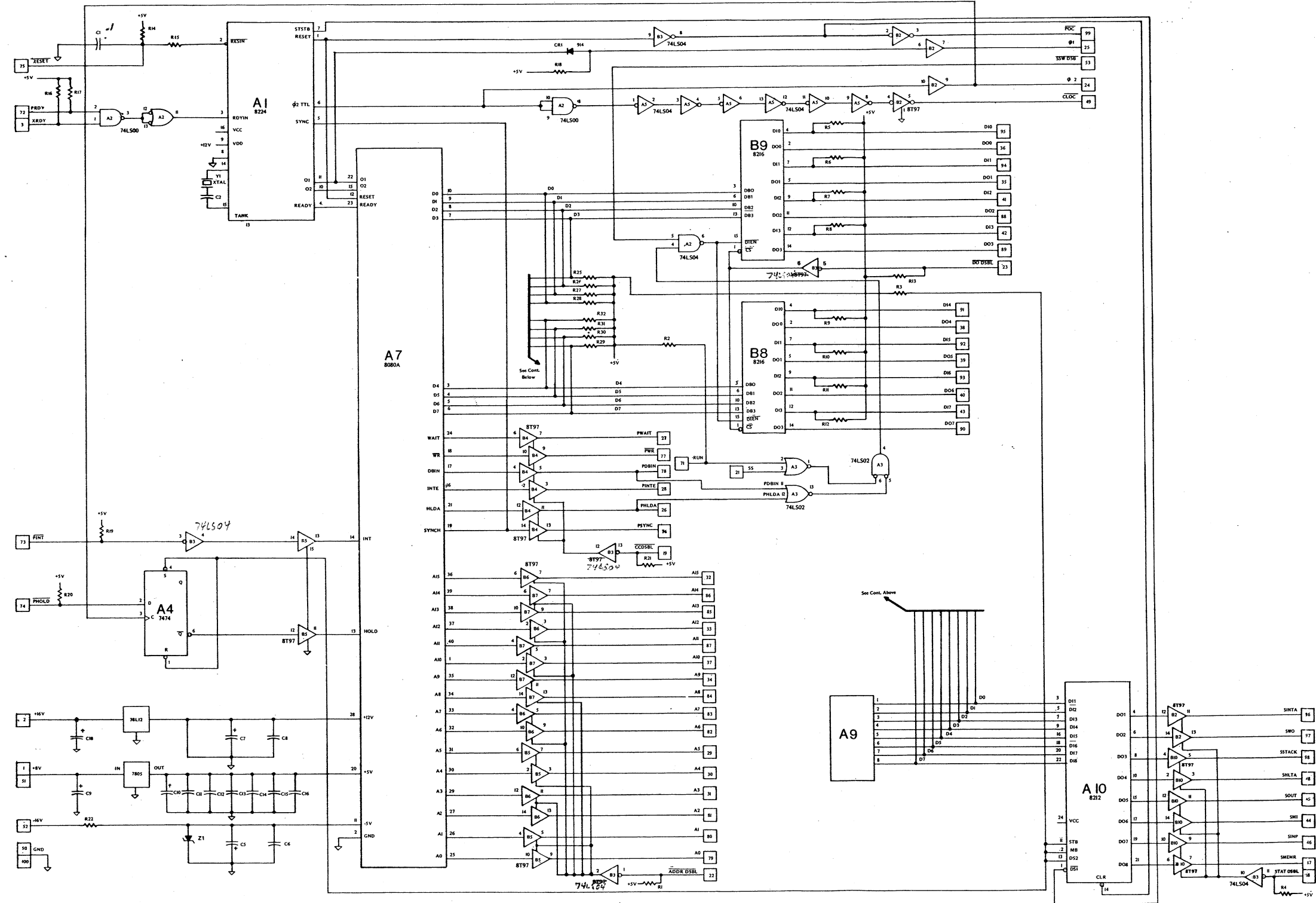
REVISIONS			
LTR	DESCRIPTION	DATE	APPROVED
0	ORIGINAL	12/75	
1	ECN76-0051 & ECO77-0039	11/76 & 4/77	
2	ECO77-0098	8/77	



- U1 }
 - U3 } 7405
 - U4 } LO0 THRU
 - U6 } LO7
 - U7 } LA0 THRU
- U2 } DATA HEADER SOCKET
- U5 } 8212
- U8 } 74LS04
- U15 } 74LS30
- U9 } 7404
- U10 } 74LS10
- U11 } 7410
- U12 } 7402
- U13 } 7400
- U16 } 7400
- U14 } 7427
- U25 } 74123
- U15.5 } 74107
- U17 } 7430
- U20 } 8T97
- U23 } 74107
- U18 } 74107
- U19 } 74107
- U22 } 7430
- U24 } 8T97
- C1 } .1 uF
- C2 } .001 uF
- C5 } .01 uF
- C6 } 33 uF
- C7 } 33 uF
- C11 THRU } 220 1/4W
- C22 } 220 1/4W
- C3 } 270K 1/4W
- C8 } 47K 1/4W
- C4 } 47K 1/4W
- C9 } 47K 1/4W
- C10 } 47K 1/4W
- CR1 } 1N914

TOLERANCES UNLESS OTHERWISE SPECIFIED		© 1977 IMSAI MFG. CORP., SAN LEANDRO, CA. ALL RIGHTS RESERVED WORLDWIDE MADE IN U.S.A.		
FRACTIONS	DEC.			
±	±	±		
APPROVALS	DATE	IMSAI 8080 SYSTEM CPA REV. 4 SCHEMATIC DIAGRAM		
DRAWN				
CHECKED		SCALE	SIZE	DRAWING NO.
			B	
DO NOT SCALE DRAWING				SHEET

REVISIONS			
LTR	DESCRIPTION	DATE	APPROVED
0	ORIGINAL REV.2	11/75	
1	REV.4	2/76	
2	UPDATE & MOD	2/77	



- A1 8224
- A2 74LS00
- A3 74LS04
- A4 7474
- A5 74LS04
- A7 8080A
- A9 DATA BUS SOCKET
- A10 8212

- B2 8T97
- B3 74LS04
- B4 8T97
- B5 8T97
- B6 8T97
- B7 8T97
- B8 8216
- B9 8216
- B10 8T97

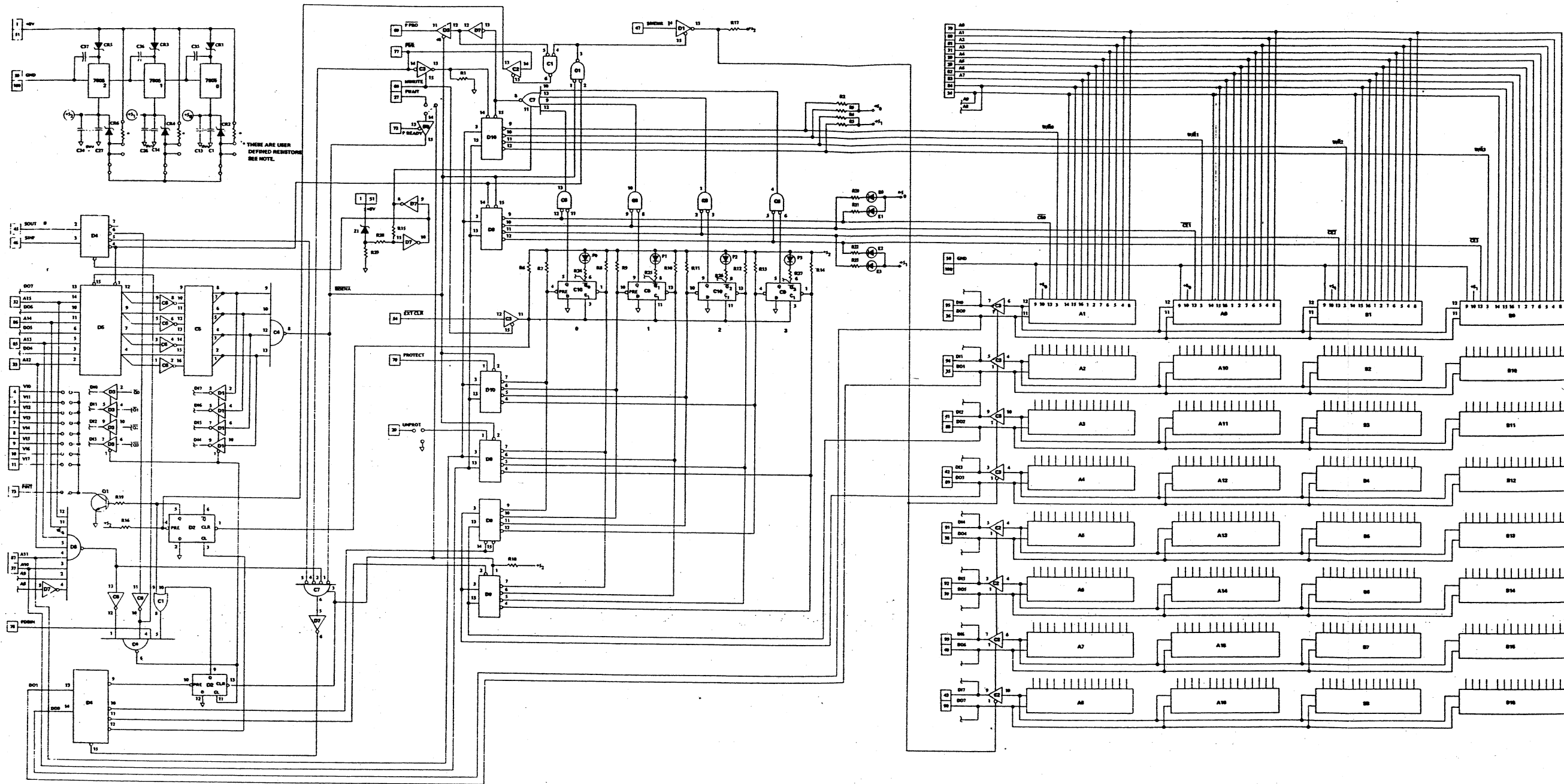
- C1 33uF
- C5 33uF
- C7 33uF
- C9 33uF
- C10 33uF
- C6 .1uF
- C8 .1uF
- C11 .1uF
- C16 .1uF
- C18 .1uF
- C2 39pF

- CR1 IN914
- Z1 IN751

- R1 thru R13 thru R17 thru R19 thru R21 thru R14 thru R18 thru R25 thru R32 thru R22 1K 1/4w
- R25 4.7K 1/4w
- R32 470 1/4w
- Y1 18uHz

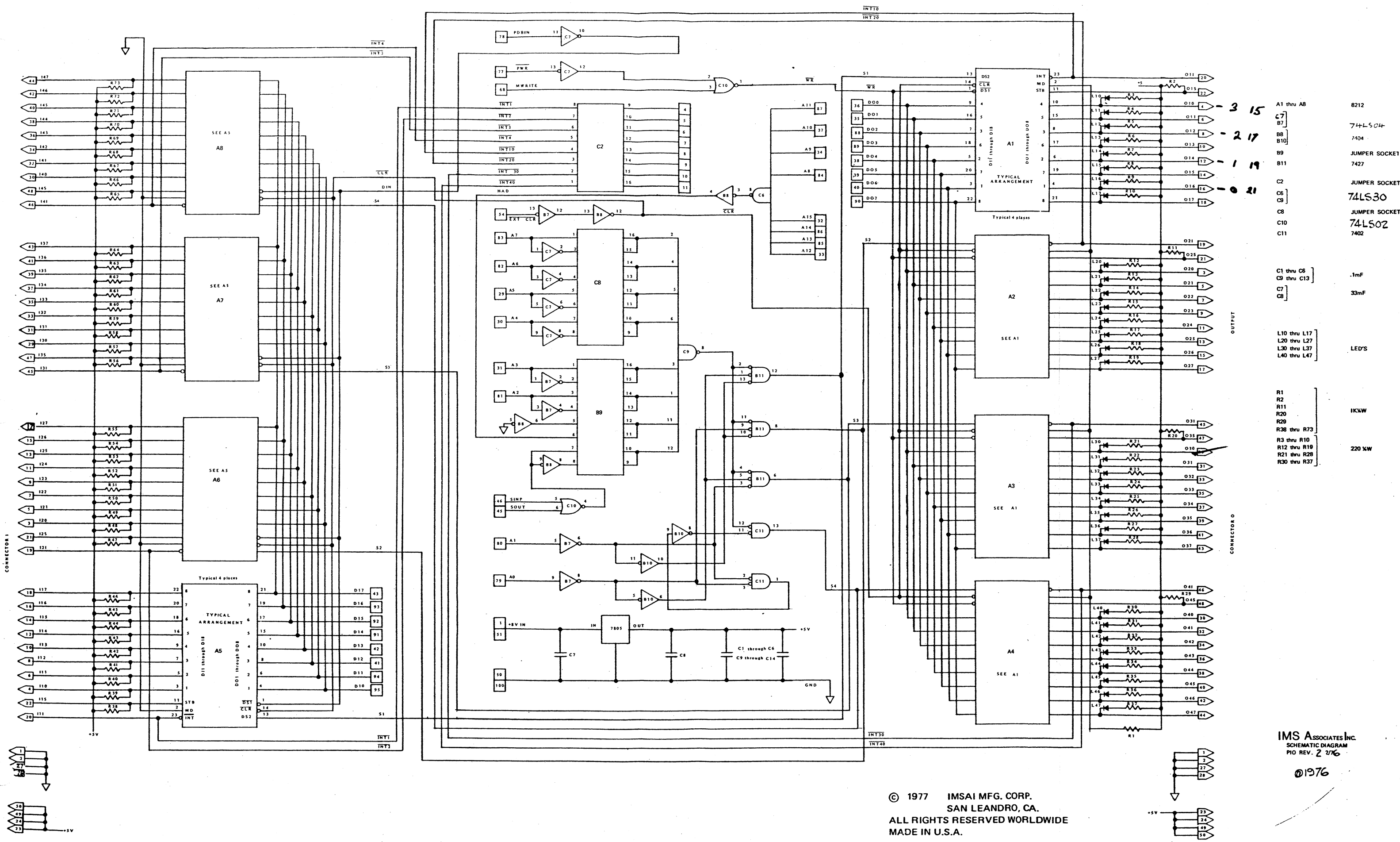
© 1977 IMSAI MFG. CORP.
 SAN LEANDRO, CA.
 ALL RIGHTS RESERVED WORLDWIDE
 MADE IN U.S.A.

TOLERANCES UNLESS OTHERWISE SPECIFIED		IMSAI MFG. CORP. SAN LEANDRO, CA.	
±	±	SCHEMATIC DIAGRAM MPU-A REV.4 2/76	
APPROVALS	DATE	SCALE	SIZE DRAWING NO.
DRAWN			
CHECKED			
DO NOT SCALE DRAWING		SHEET	



- A1 7402
- A2 7402
- C1 7432
- C2 8797
- C3 74LS20
- C4 16 PIN JAMPER SOCKET
- C5 7404
- C6 7425
- C7 7402
- C8 74LS04
- D1 8798
- D2 74LS24
- D3 8797
- D4 74LS139
- D5 74LS157
- D6 7400
- D7 7404
- D8 74LS138
- D9 1µF
- D10 33µF
- D11 1N4002
- D12 1N751A
- Z1 2N3904
- R1 1K 1/2 WATT
- R2 220 1/2 WATT
- R3 100 1/2 WATT
- R4 GREEN LED
- R5 RED LED

NOTE:
THERE ARE USER DEFINED
NEON TUBE REFER TO USER
GUIDE FOR EXPLANATION.



- A1 thru A8 8212
- C7 74LS04
- B8 7404
- B9 JUMPER SOCKET
- B11 7427
- C2 JUMPER SOCKET
- C6 74LS30
- C8 JUMPER SOCKET
- C10 74LS02
- C11 7402

- C1 thru C5 } .1mF
- C9 thru C13 } .33mF
- C7 } .33mF
- C8 }

- L10 thru L17 } LEDs
- L20 thru L27 } LEDs
- L30 thru L37 } LEDs
- L40 thru L47 } LEDs

- R1 IKKW
- R2 IKKW
- R11 IKKW
- R20 IKKW
- R29 IKKW
- R38 thru R73 220 KW
- R3 thru R10 220 KW
- R12 thru R19 220 KW
- R21 thru R28 220 KW
- R30 thru R37 220 KW

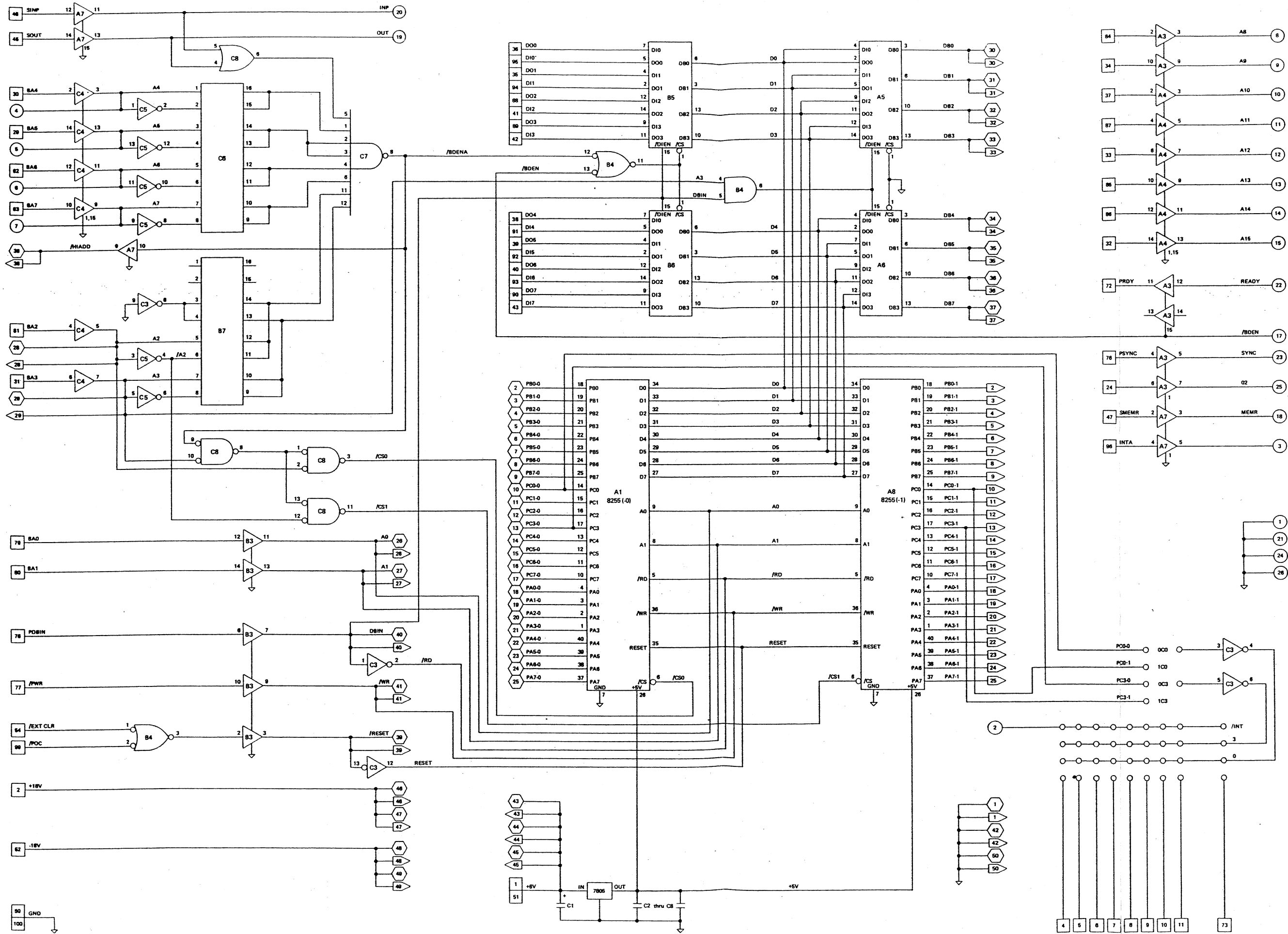
OUTPUT
CONNECTOR O

CONNECTOR I

IMS ASSOCIATES INC.
SCHEMATIC DIAGRAM
PIG REV. 2/76

©1976

© 1977 IMSAI MFG. CORP.
SAN LEANDRO, CA.
ALL RIGHTS RESERVED WORLDWIDE
MADE IN U.S.A.



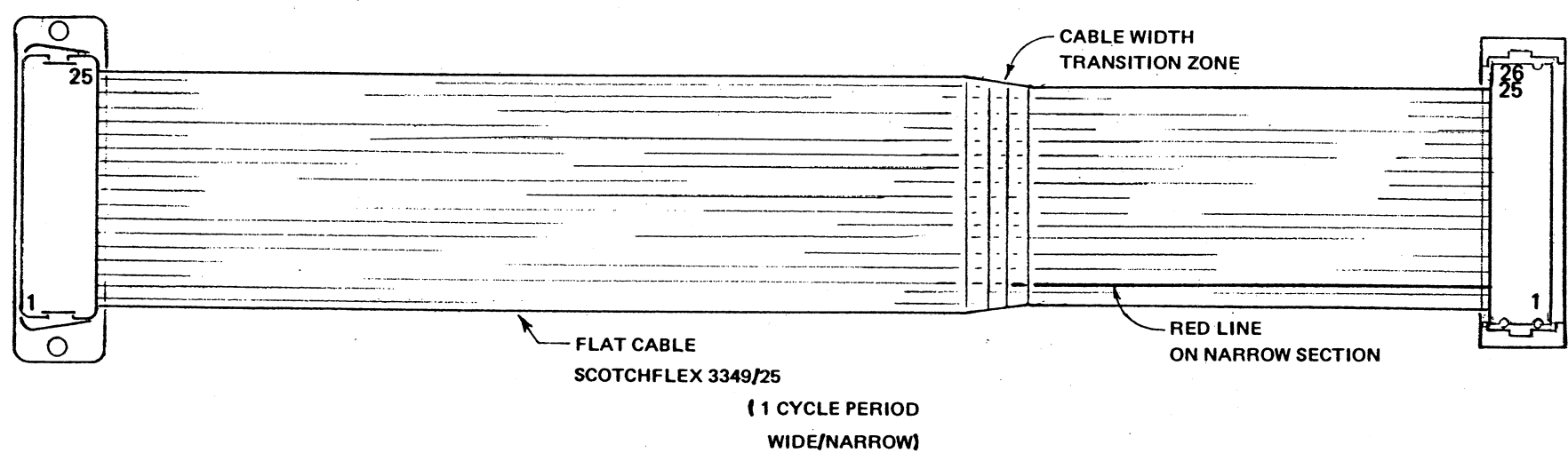
- A1 8255
- A3 8T97
- A4
- A5 8216
- A6
- A7 8T97
- A8 8256
- B3 8T97
- B4 74LS08
- B5 8216
- B6
- B7 ADDRESS JUMPER SELECT
- C3 74LS04
- C4 8T97
- C5 74LS04
- C6 ADDRESS JUMPER SELECT
- C7 74LS30
- C8 74LS32
- C1 22uF
- C2 thru C8 0.1uF

© 1978 IMSAI MFG. CORP.
SAN LEANDRO, CA.
SCHEMATIC DIAGRAM
PIO-66 REV. 1 11/78

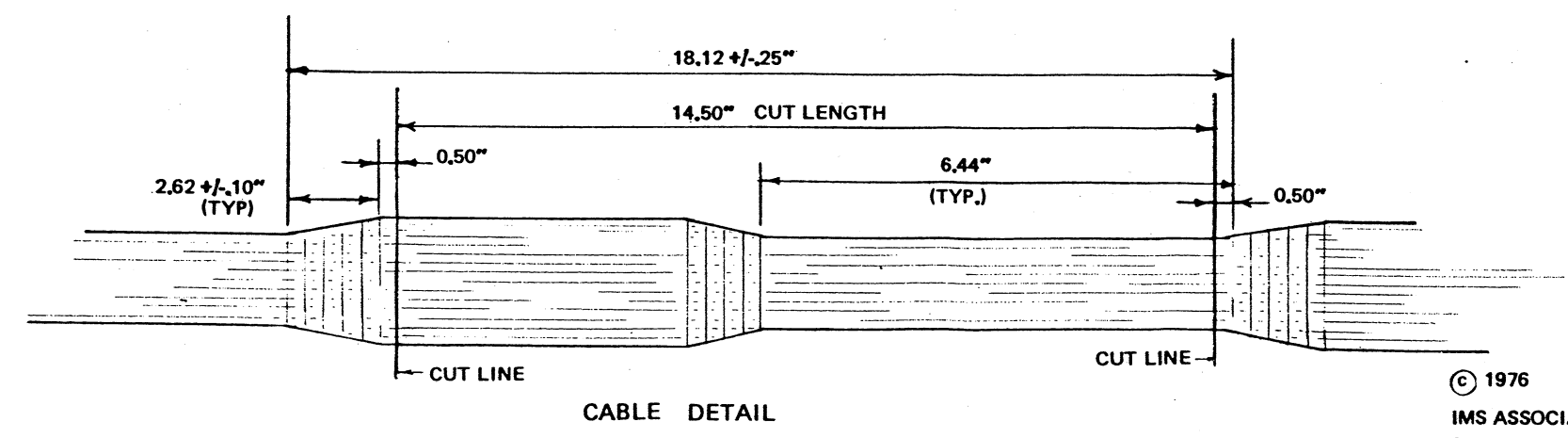
- = J1
- = J2
- △ = J3
- = J4

REVISIONS			
LTR	DESCRIPTION	DATE	APPROVED
0	ORIGINAL	8/76	
1	REVISED CABLE DIMENSIONS	8/76	

25 PIN FEMALE CONNECTOR
 SCOTCHFLEX 3483-1000
 MOUNTING HARDWARE SET
 SCOTCHFLEX 3341-1



26 PIN SOCKET CONNECTOR
 SCOTCHFLEX 3462-0001



CABLE DETAIL

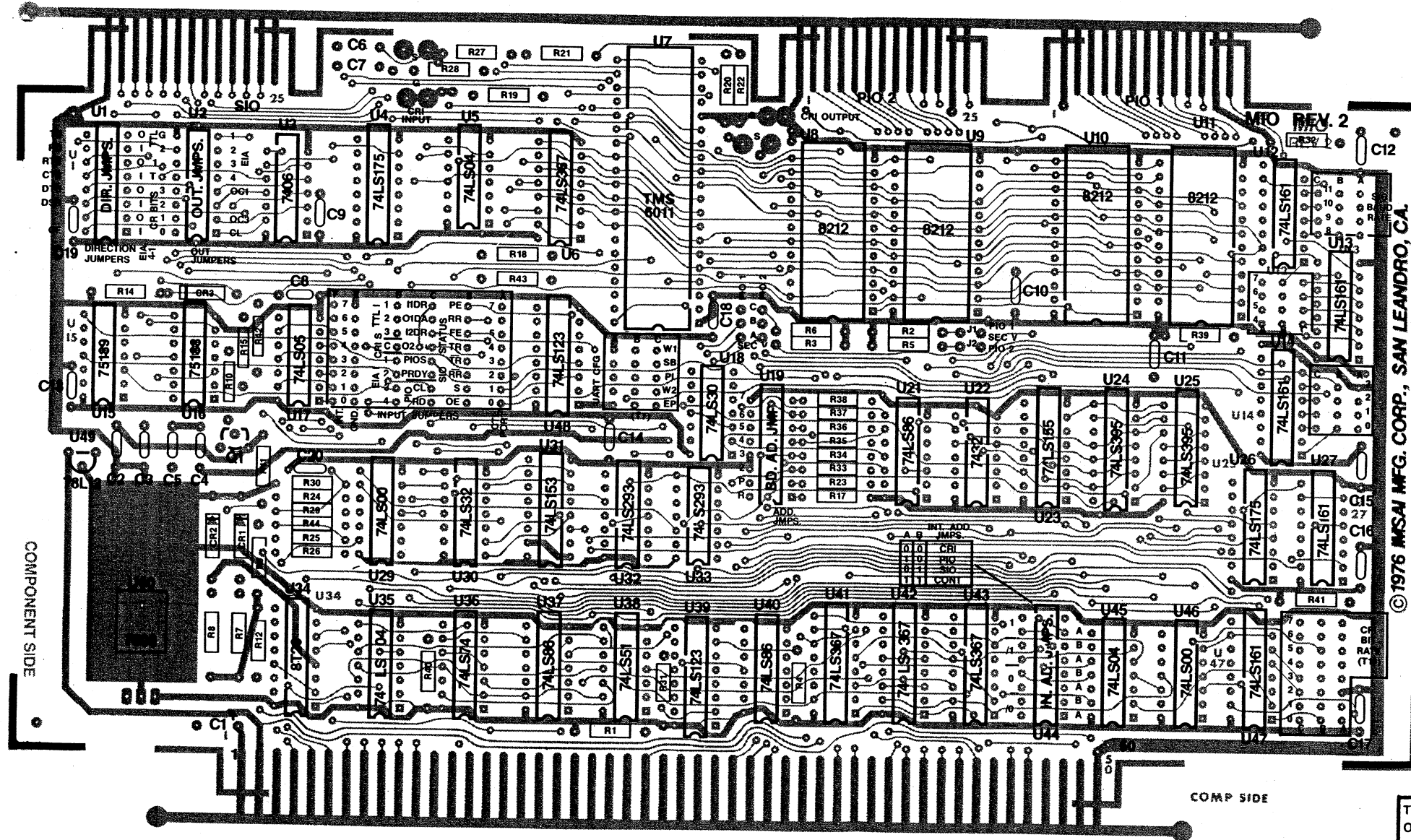
© 1976
 IMS ASSOCIATES INC.
 SAN LEANDRO, CA.

© 1977 IMSAI MFG. CORP.
 SAN LEANDRO, CA.
 ALL RIGHTS RESERVED WORLDWIDE
 MADE IN U.S.A.

TOLERANCES UNLESS OTHERWISE SPECIFIED			
FRACTIONS	DEC.	ANGLES	
±	±	±	
APPROVALS		DATE	
DRAWN YP		8/76	
CHECKED AZH		8/11/76	
SCALE		SIZE	DRAWING NO.
		B	91-2040003
DO NOT SCALE DRAWING			SHEET 1 OF 1

SIO CABLE A
 ASSEMBLY
 91-0400003

REVISIONS			
LTR	DESCRIPTION	DATE	APPROVED
0	ORIGINAL MIO REV. 2	11/76	ajk



NOTES:

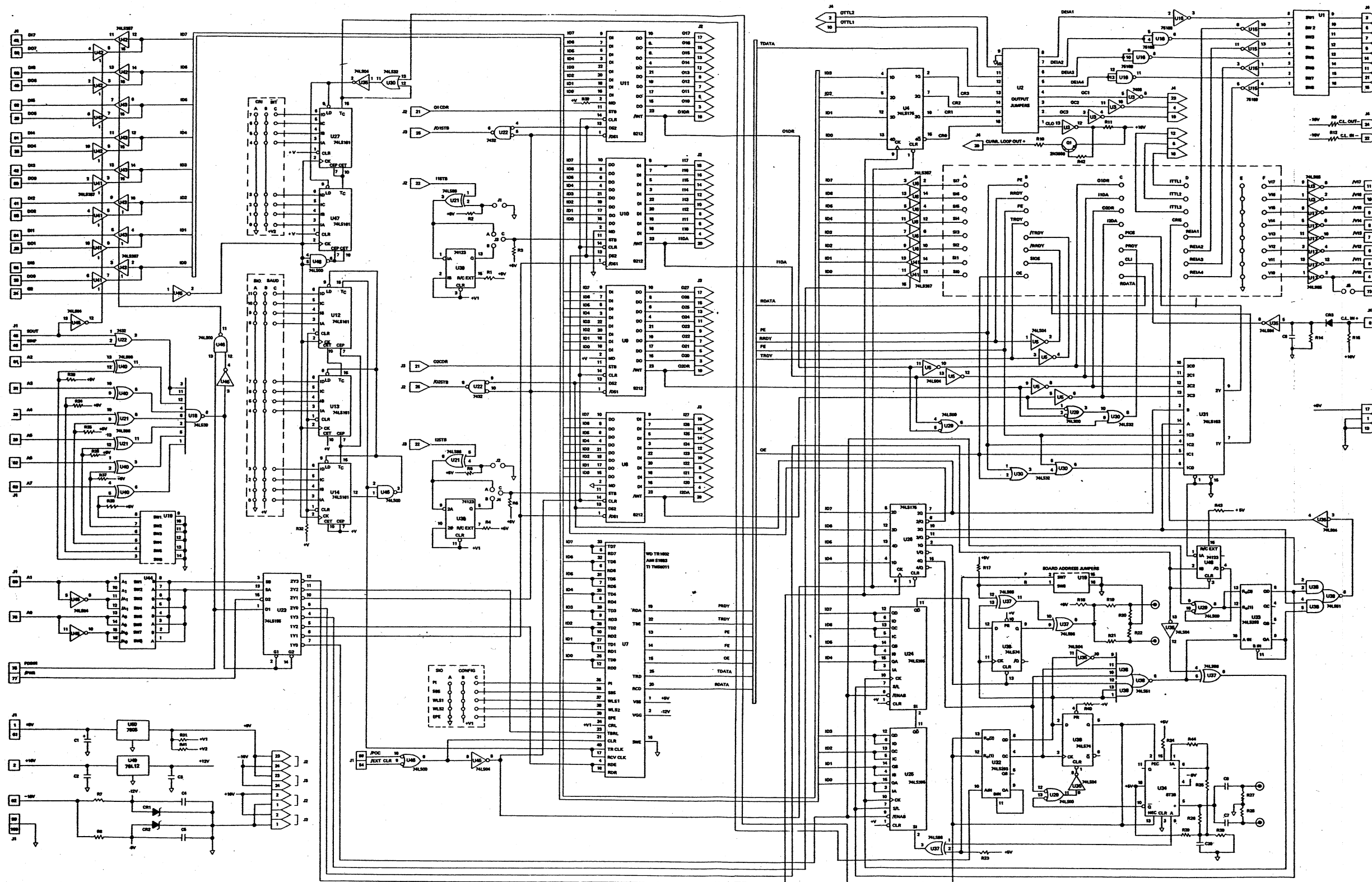
U1, U2, U19 & U44 are with 16 pin sockets.
 U7 is a
 U12, U13, U14, U27, U47 are 74LS161 or 74LS163
 U39 & U48 are 74LS123 or 74123.

Capacitors are .1uF unless noted below.
 C1 is 33uF
 C6 & C7 are .02uF
 Resistors are 1/4 watt unless noted.
 R1, R4, R24, R43 & R44 are 36K.
 R2, R3, R5, R6, R17, R18, R22, R23, R31 through R41 are 1K.
 R7 is 56 1/2 watt.
 R8 is 470 1/2 watt
 R9 & R15 are 1.2K.
 R10, R12 & R29 are 470.
 R11, R19, R21, R25, R26 & R42 are 10K.
 R14 is 330
 R27 & R28 are 100
 R30 is 220
 Diode CR1 is 1N4742
 Diode CR2 is 1N751A.
 Diode CR3 is 1N914
 Transistor Q1 is 2N3906

© 1977 IMSAI MFG. CORP.
 SAN LEANDRO, CA.
 ALL RIGHTS RESERVED WORLDWIDE
 MADE IN U.S.A.

TOLERANCES UNLESS OTHERWISE SPECIFIED		FRACTIONS DEC. ANGLES		± ± ±		© 1976 IMSAI MFG. CORP. SAN LEANDRO, CA.	
APPROVALS		DATE		ASSEMBLY DIAGRAM MIO REV. 2 11/76			
DRAWN <i>Paw</i>		11/10/76					
CHECKED <i>LA</i>		11/10/76					
SCALE		SIZE		DRAWING NO.		B	
DO NOT SCALE DRAWING						SHEET	

© 1977 IMSAI MFG. CORP.
 SAN LEANDRO, CA.
 ALL RIGHTS RESERVED WORLDWIDE
 MADE IN U.S.A.



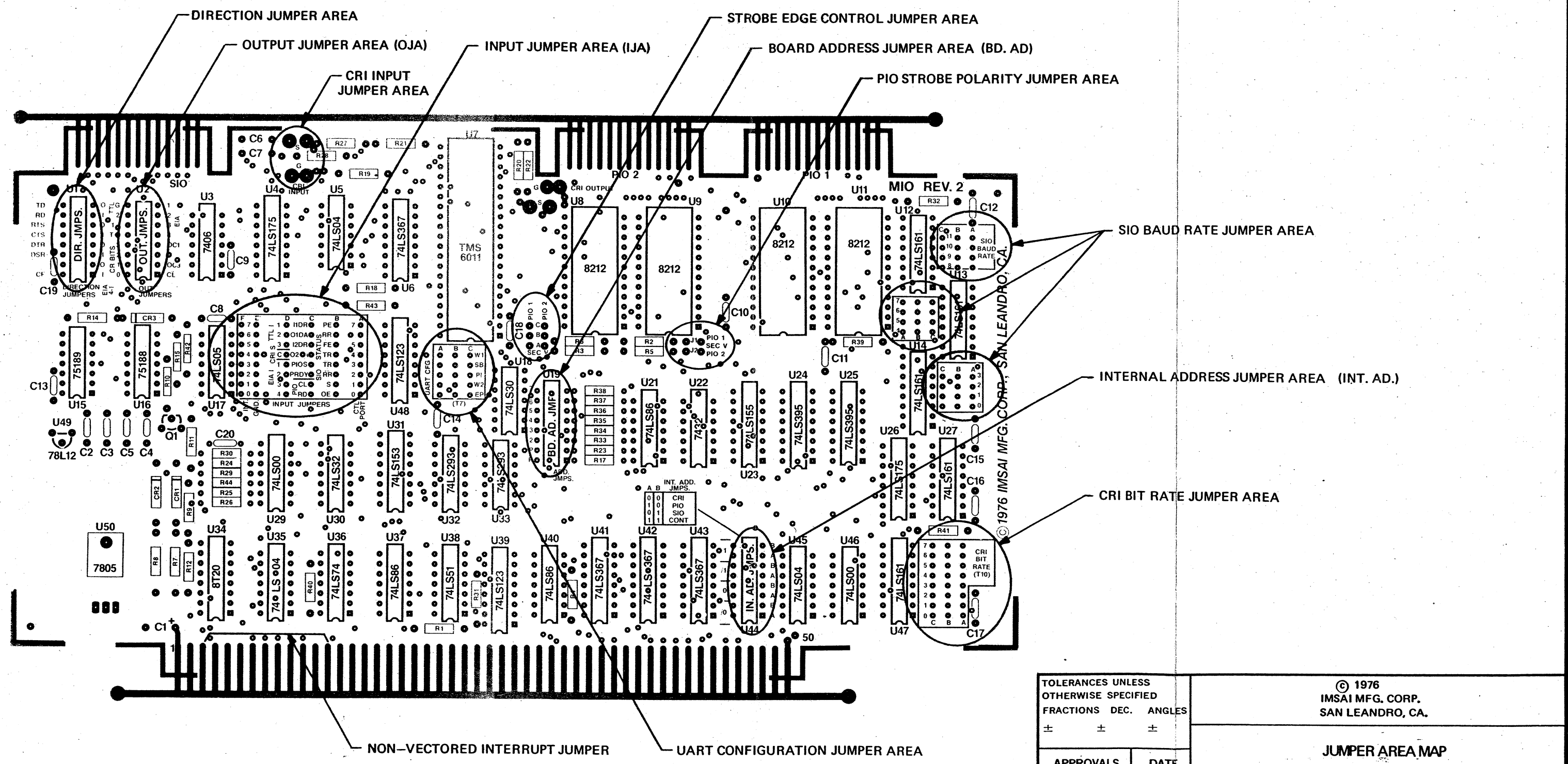
- | | | | |
|-----|--------------------------|-----|------------|
| U1 | DIRECTION JUMPERS | C1 | 33uF |
| U2 | OUTPUT JUMPERS | C2 | |
| U3 | 7406 | C3 | .1uF |
| U4 | 74LS175 | C4 | |
| U5 | 74LS04 | C5 | .02uF |
| U6 | 74367 | C6 | |
| U7 | UART | C7 | |
| U8 | | C8 | |
| U9 | 8212 | C9 | thru .1uF |
| U10 | | C20 | |
| U11 | | R1 | 36K ¼W |
| U12 | | R2 | 1K ¼W |
| U13 | 74LS163 or 74LS161 | R3 | 36K ¼W |
| U14 | | R4 | 36K ¼W |
| U15 | 75189 | R5 | 1K ¼W |
| U16 | 75188 | R6 | 56 ¼W |
| U17 | 74LS05 | R7 | 470 ¼W |
| U18 | 74LS30 | R8 | 470 ¼W |
| U19 | BOARD ADDRESS JUMPERS | R9 | 1.2K ¼W |
| U21 | 74LS86 | R10 | 470 ¼W |
| U22 | 7432 | R11 | 10K ¼W |
| U23 | 74LS155 | R12 | 470 ¼W |
| U24 | | R14 | 330 ¼W |
| U25 | 74LS395 | R15 | 1.2K ¼W |
| U26 | 74LS175 | R17 | 1K ¼W |
| U27 | 74LS163 or 74LS161 | R18 | 1K ¼W |
| U29 | 74LS00 | R19 | 10K ¼W |
| U30 | 74LS32 | R20 | 1K ¼W |
| U31 | 74LS153 | R21 | 10K ¼W |
| U32 | 74LS293 | R22 | 1K ¼W |
| U33 | | R23 | 1K ¼W |
| U34 | 8T20 | R24 | 36K ¼W |
| U35 | 74LS04 | R25 | |
| U36 | 74LS74 | R26 | 10K ¼W |
| U37 | 74LS86 | R27 | 100 ¼W |
| U38 | 74LS51 | R28 | 470 ¼W |
| U39 | 74LS123 or 74123 | R29 | 470 ¼W |
| U40 | 74LS86 | R30 | 220 ¼W |
| U41 | | R31 | thru 1K ¼W |
| U42 | 74367 | R41 | |
| U43 | | R42 | 10K ¼W |
| U44 | INTERNAL ADDRESS JUMPERS | R43 | 36K ¼W |
| U45 | 74LS04 | R44 | |
| U46 | 74LS00 | CR1 | 1N4742 |
| U47 | 74LS161 or 74LS163 | CR2 | 1N751A |
| U48 | 74LS123 or 74123 | CR3 | 1N914 |
| U49 | 78L12 | Q1 | 2N3906 |
| U50 | 7805 | | |

© 1976 IMSAI MFG. CORP.
 SAN LEANDRO, CA.

SCHEMATIC DIAGRAM

MIO REV. 2 11/76

REVISIONS			
LTR	DESCRIPTION	DATE	APPROVED
0	ORIGINAL	11/24/76	



TOLERANCES UNLESS OTHERWISE SPECIFIED	
FRACTIONS	DEC. ANGLES
±	± ±
APPROVALS	DATE
DRAWN <i>C.D.L.</i>	<i>11/24/76</i>
CHECKED	

© 1976
IMSAI MFG. CORP.
SAN LEANDRO, CA.

JUMPER AREA MAP
MIO REV. 2

SCALE	SIZE B	DRAWING NO.
DO NOT SCALE DRAWING		SHEET